

Application

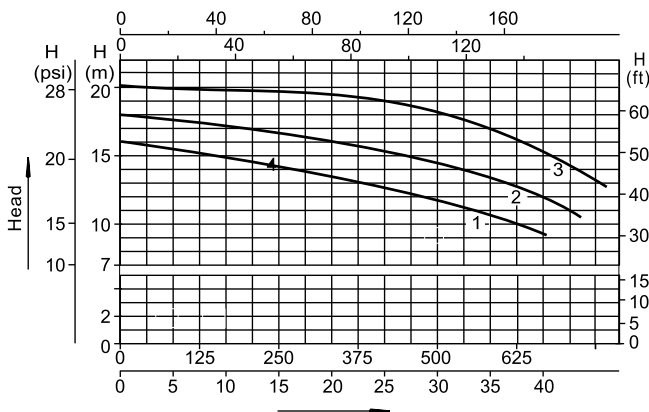
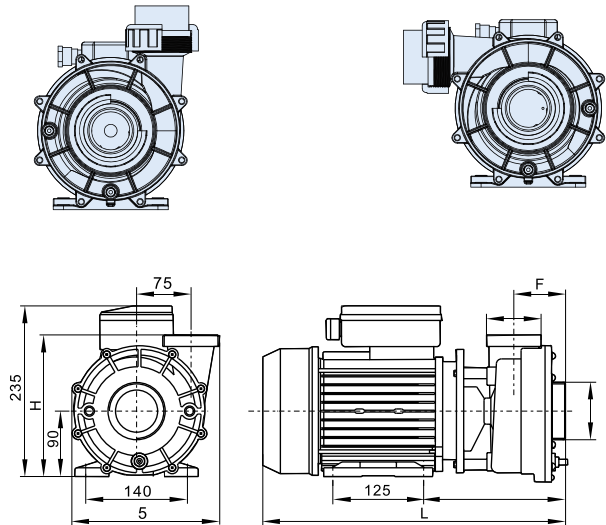
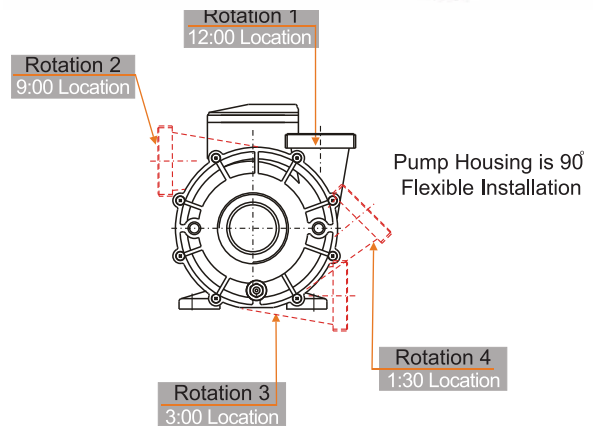
Centrifugal pump for spas, counter current and other applications.

Material

- Pump body made in polypropylene reinforced with fiberglass, resistant to the chemical products in the swimming pool, guaranteed to last a longtime.
- Impeller in Noryl.
- Versions from 1.5HP to 4HP.
- Connections of suction and return for bush connections to be glued, included with the pump.

Motor

- Mechanical seal in graphite and ceramics.
- Motor shaft manufactured in stainless steel AISI 316L.
- Enclosed motor, totally silent, with IP-55 protection, at 2.850 r.p.m.
- 90 Frame , CCCCs speed motor is optional.
- Motor adopts high temperature resistant bearing for long life reliable and durable.
- Liquid absolutely separate with shaft to keep more safe and reliable.
- Maximum working pressure 0.3MPa.
- Working temperature 5 to 50° C.



Model	Qmax (l/min)	Hmax (m)	Curves	V/Hz	Power (P _i)		Amps	Fitting size (mm)	(Kg)	Packing size (mm)	(Qty/20')
					kW	HP					
CX-20803	620	14	1	220-240/50	1.5	2.0	7.0	60.3 or 63	15.3	460 x 235 x 295	910
CX-20804	730	18	2	220-240/50	2.2	3.0	10	60.3 or 63	18	460 x 235 x 295	910
CX-20805	780	19	3	220-240/50	3.0	4.0	14	60.3 or 63	19.2	460 x 235 x 295	910